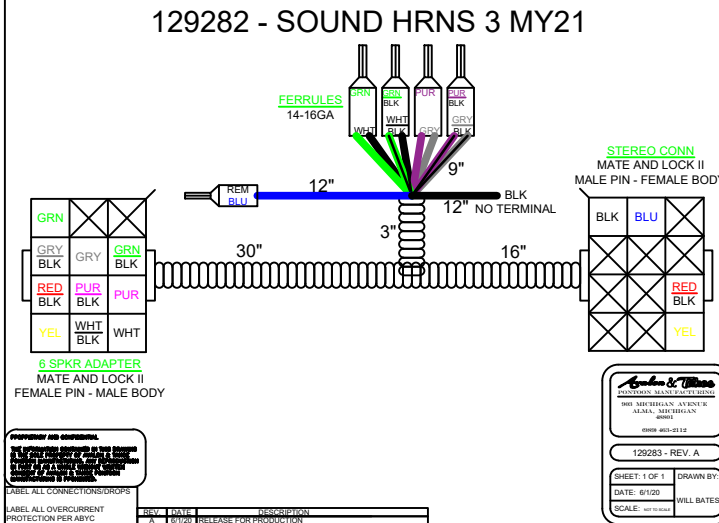
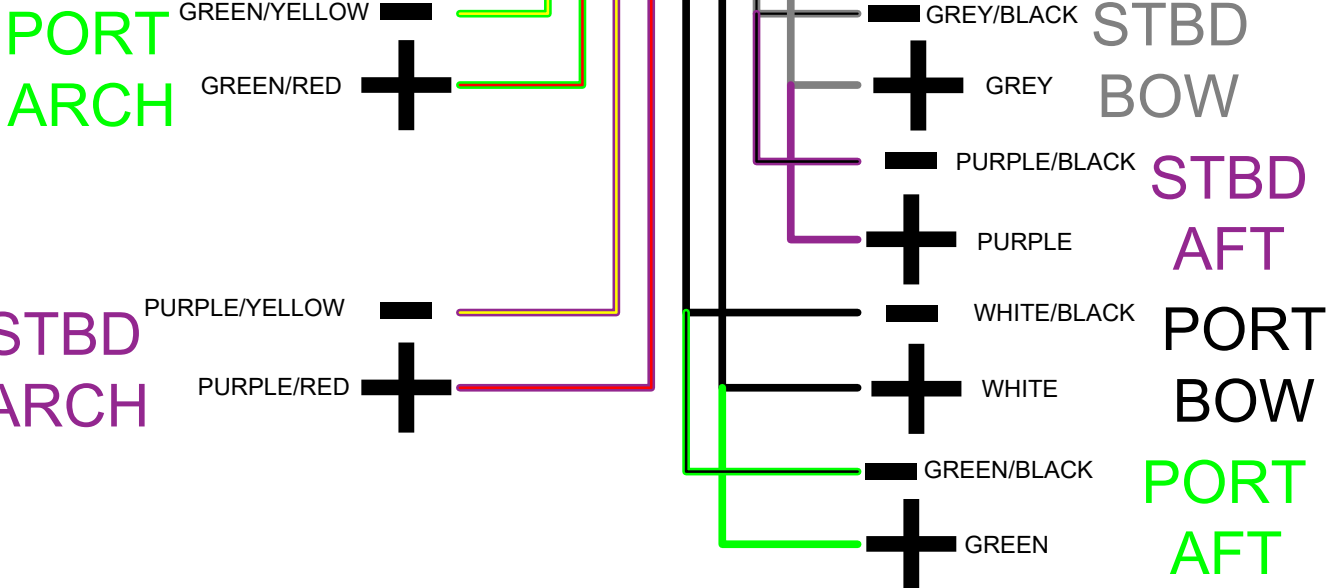
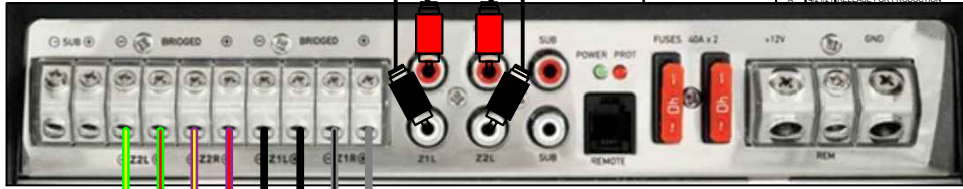
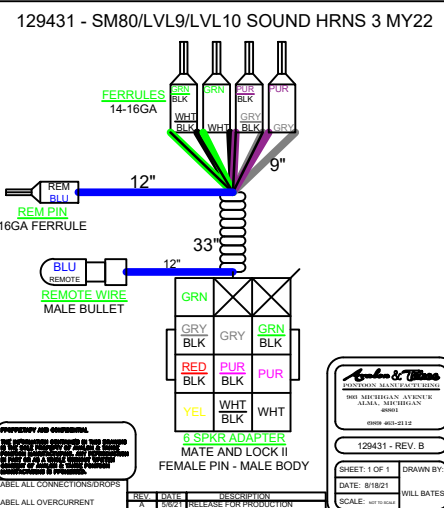
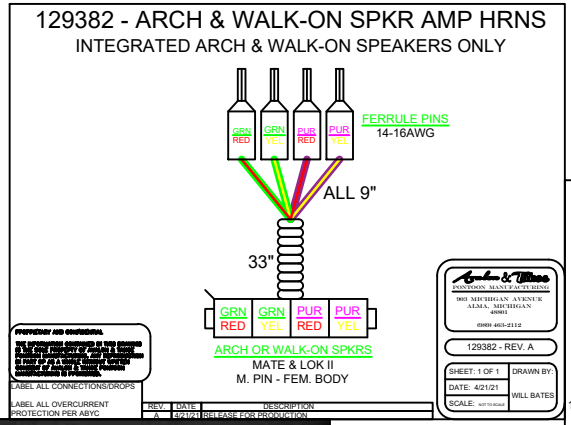
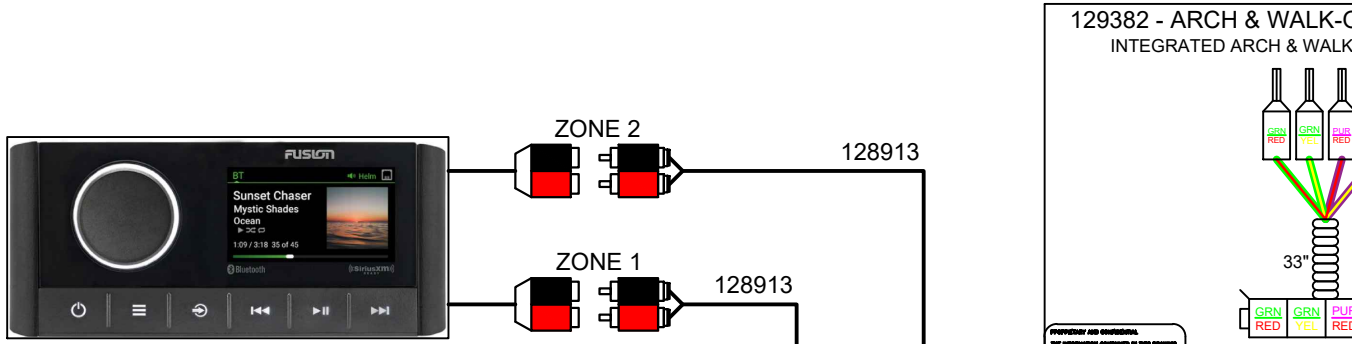


GOLDPLUS4MY22

ALL CAT/CAS FLOORPLANS WITH INTEGRATED ARCH EXCEPT VRL & VRB
 ALL CTP/CSP FLOORPLANS WITH INTEGRATED ARCH EXCEPT ELW & VRB

RA670, 6 XS SPEAKERS, 5CH AMP



Arden & Wilson
 PROFESSIONAL MANUFACTURING
 3001 MICHELIAN AVENUE
 ALABAMA, MICHELIAN
 36000
 800-403-0112

129431 - REV. B
 SHEET: 1 OF 1
 DATE: 8/19/21
 SCALE: 1/8"=1'-0"

LABEL ALL CONNECTIONS/DROPS
 LABEL ALL OVERCURRENT
 PROTECTION PER ABYC

REV. DATE DESCRIPTION
 A 8/19/21 RELEASE FOR PRODUCTION
 B 8/19/21 REMOVED BLK WIRE ADDED BULLET

Arden & Wilson
 PROFESSIONAL MANUFACTURING
 3001 MICHELIAN AVENUE
 ALABAMA, MICHELIAN
 36000
 800-403-0112

129282 - REV. A
 SHEET: 1 OF 1
 DATE: 6/1/20
 SCALE: 1/8"=1'-0"

LABEL ALL CONNECTIONS/DROPS
 LABEL ALL OVERCURRENT
 PROTECTION PER ABYC

REV. DATE DESCRIPTION
 A 6/1/20 RELEASE FOR PRODUCTION