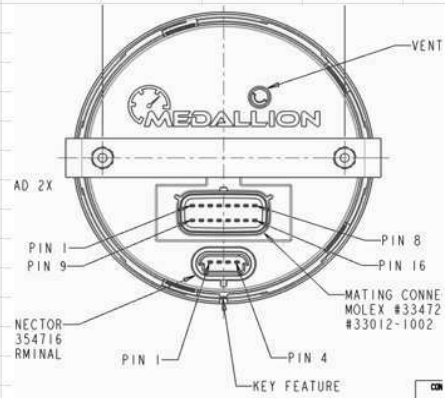


Avalon Gauge Troubleshooting Guide

Issue	Possible Cause	Solution
Main gauge does not power up	Ground is missing from Gauge.	Ensure battery negative is properly populated in pin 1 of main connector on the gauge.
	Battery power is missing from Gauge.	Ensure 12V is present on pin 2 of main connector on the gauge when the battery switch is turned on.
	Ignition power is missing from Gauge.	Ensure 12V is present on pin 3 of main connector on the gauge when the key switch is turned on.
Simple gauge does not power up	4 pin connector not seated properly	Properly secure the 4 pin connector to the simple gauge as well as the main gauge.
	Ground is missing from gauge	Ensure pin 3 of 4 pin connector on the gauge has a good ground.
	Battery switch power is missing from Viper 3, but ignition is present.	Ensure 12V is present on pin 2 of main connector on the gauge when the main gauge is powered on.
Tach not reading correctly	Incorrect engine selected	Ensure proper engine is selected in the settings menu.
	Analog tach signal is missing from main gauge	Ensure tach signal is present on pin 15 (5 in gauge) or pin 11 (3 inch gauge) on the main gauge connector for analog engines.
	Incorrect connection to Engine data	Ensure proper connection to engine CAN under helm and at the engine for digital engines.
Trim not reading correctly	Incorrect engine selected	Ensure proper engine is selected in the settings menu.
	Incorrect calibration	Reset all calibrations in the settings menu to ensure incorrect calibration was not conducted on gauge
	Analog trim signal is missing from main gauge	Ensure tach signal is present on pin 11 (5 in gauge) or pin 9 (3 inch gauge) on the main gauge connector for analog engines.
	Honda trim signal missing from main gauge	Ensure tach signal is present on pin 12 (5 in gauge) or pin 10 (3 inch gauge) on the main gauge connector for Honda analog engines.
	Incorrect connection to Engine data	Ensure proper connection to engine CAN under helm and at the engine for digital engines.
Fuel not reading correctly	Incorrect calibration	Reset all calibrations in the settings menu to ensure incorrect calibration was not conducted on gauge
	Fuel signal missing from main gauge	Ensure fuel signal is present on pin 8 on the main gauge connector.
	Improper resistance values	Measure fuel signal input resistance value with respect to gauge ground. Fuel signal should be between 33-240 ohms into gauge.
No speed present	No power to GPS module	Verify that there is 12VDC and ground going to the GPS module.
	No CAN connection	Check continuity of CAN+ and CAN- connections from the GPS module to the main gauge.
	Missing terminating resistor/Improper resistance values	Remove both connection at gauge and GPS module and place ohm meter across CAN high and CAN low. You should see between 60-120 ohms. If open circuit then no termination is present.
	No GPS signal available	Ensure open visibility to sky away from structures.

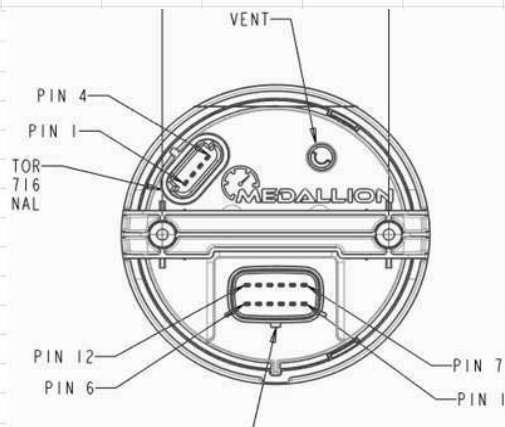
5 inch Gauge 16 Pin Connector

Pin #	Description	Notes
1	Ground	
2	Battery	+12 VDC
3	Ignition	switched 12 VDC
4	CAN 1 +	CAN+
5	CAN 1 -	CAN -
6	CAN Shield	Not Used
7	Backlight	0-12V
8	Analog 1	Fuel Level
9	Analog 2	Not Used
10	Analog 3	Not Used
11	Analog 4	Trim
12	Analog 5	Honda 5V Trim
13	Analog 6	Not Used
14	Analog 7	Not Used
15	Analog 8	Tach Input
16	Output 1	Not Used



3 inch Gauge 12 Pin Connector

Pin #	Description	Notes
1	Ground	
2	Battery	+12 VDC
3	Ignition	switched 12 VDC
4	CAN 1 +	CAN +
5	CAN 1 -	CAN -
6	CAN Shield	Not Used
7	Backlight	0-12V
8	Analog 1	Fuel Level
9	Analog 2	Trim
10	Analog 3	Honda 5V Trim
11	Analog 4	Tach Input
12	Analog 5	Not Used



Simple Gauge 4 Pin Connector

Pin #	Description	Notes
1	LIN	Communication Line
2	12V	+12 VDC
3	Ground	
4	Backlight	

GPS Module 8 Pin Connector

Pin #	Description	Notes
1	Ignition	+12 VDC
2	Ground	
3	CAN+	CAN +
4	CAN-	CAN -
5	NC	Not Used
6	NC	Not Used
7	NC	Not Used
8	NC	Not Used