

CRITICAL INFORMATION

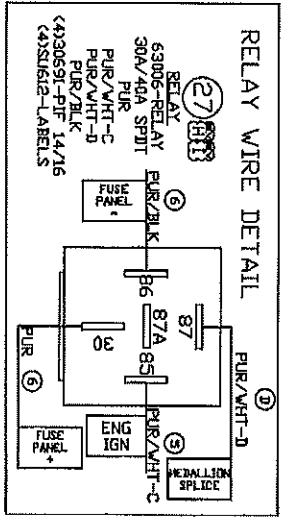
ADD LABEL SIZE AT DESIGNATED DROPS
QTY: 25

2 **68841-RESISTOR**
68841-RESISTOR
D10-4-3P-P006
UNTIL IT CLICKS AFTER
TERMINALS ARE
INSTALLED.

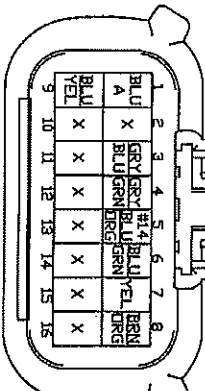
2A **RESISTOR FACT CANL**
39252-D106-2S
39253-VLDLCK
(2)39254-SOCKET
1 TEL. 180 2
1 VHT. 180 2

4C **ENGINE DATA GREEN CANL**
68836-MICRO CIRCUIT-A
(4)ALE END-FEMALE SOCKET
STRIP BACK SHEATHING 4"
HS W/ 30792

4B **RESISTOR**
66841-RESISTOR
D10-4-3P-P006

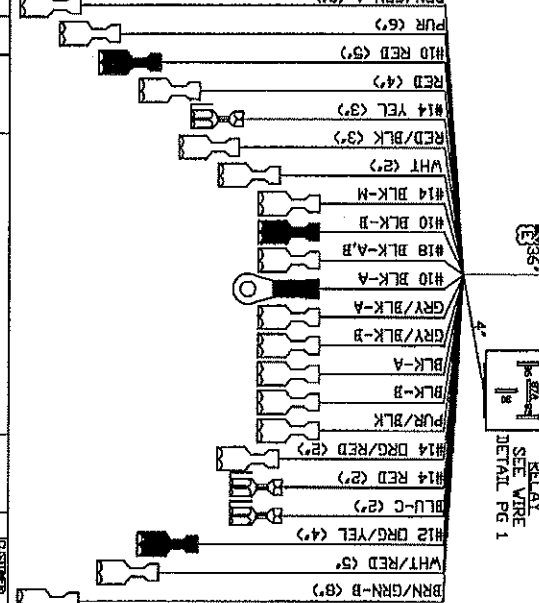
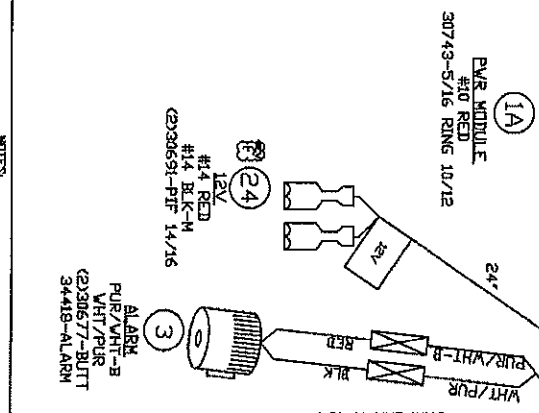


1 **EMR MODULE**
68292-HSNG 16 VAY
(2)68293-TERM 14/16
(3)68296-PLUG
**PUSH LICK DOWN
UNTIL IT CLICKS AFTER
TERMINALS ARE
INSTALLED.



3 **SPILCE WIRES ACCORDINGLY**
USE 30791 HEAT SHRINK (QTY 10)

- 4C**
- #18 RED-A RED-MICRO A (PWR)
 - #18 BLK-A BLK-MICRO A (GRND)
 - #18 W/B SHIELD-A BARE-MICRO A (SHIELD)
 - #18 WHT-A WHT-MICRO A (CAN-HI)
 - #18 BLU-A BLU-MICRO A (CAN-LO)
- 12A**
- #18 RED-B RED-MICRO B (PWR)
 - #18 BLK-B BLK-MICRO B (GRND)
 - #18 Y/G SHIELD-A BARE-MICRO B (SHIELD)
 - #18 YEL/GRN-A WHT-MICRO B (CAN-HI)
 - #18 GRN/YEL-A BLU-MICRO B (CAN-LO)



6 **USERBOARD**
#10 BLK-A
30710-#10 RING 10/12

- #14 BLK-B
- #18 BLK-C
- #18 BLK-D
- GRV/BLK-A
- GRV/BLK-B
- PUR/BLK
- WHT
- #14 DRG/RED
- RED/BLK
- PUR
- VHT/RED
- BRN/GRN-A
- BRN/GRN-B
- (1)30651-P1F 14/16
- #12 DRG/YEL
- #10 DRG/VEL
- (3)30707-P1F 10/12
- #14 YEL
- #14 RED
- BLU-C
- (3)30682-PB
- (3)30791-HS

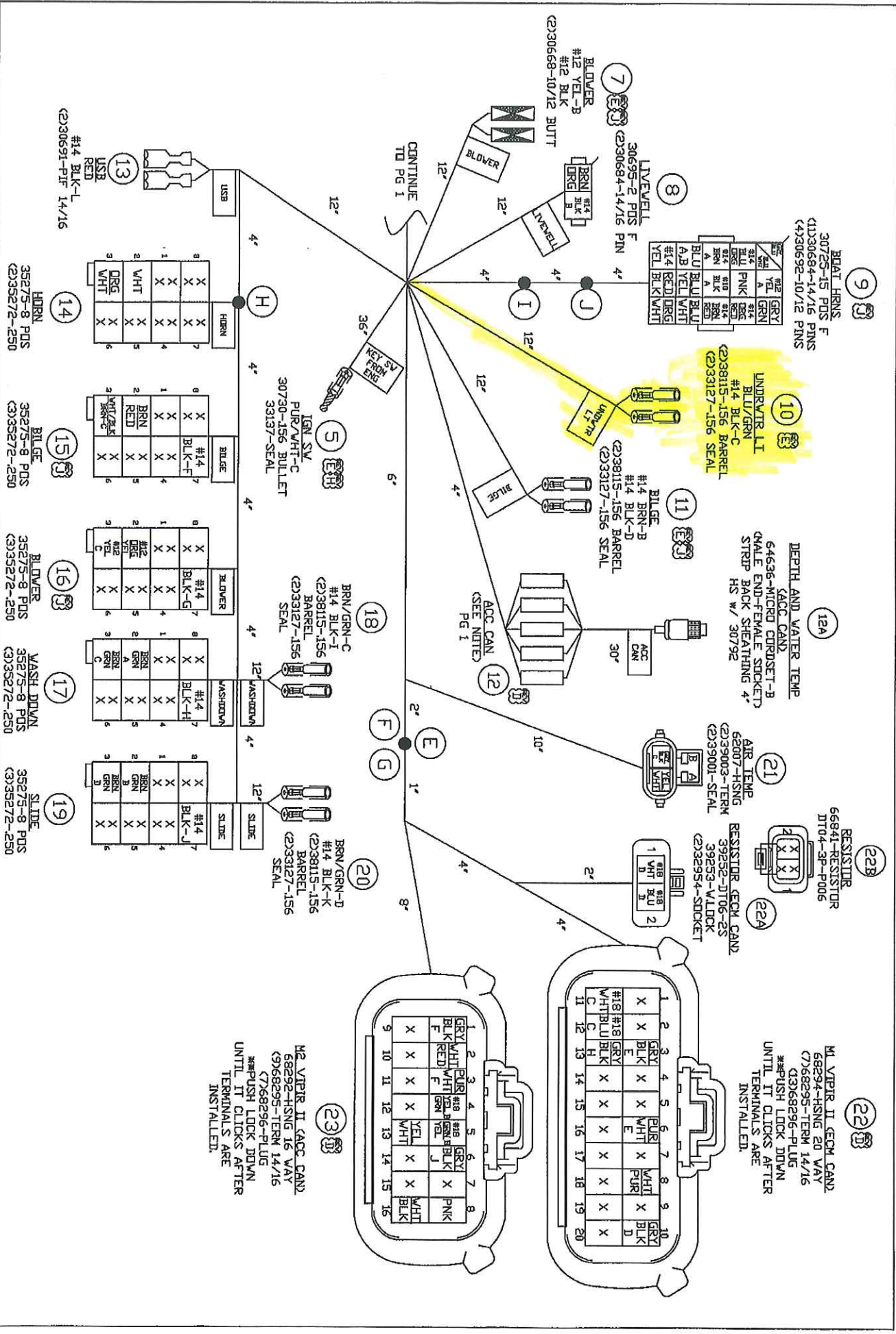
THICKNESS			
FRUSH			
SCREEN COLOR			
SILK SCREEN #			
HARNESS BOARD			
WIRE HARNESS			
REAR/TERMINALS			

REV.	DESCRIPTION	DATE	BY
J	P7483	11/2/15	ENH
I	P7463	10/28/15	ENH

CUSTOMER	AVAILIN
PART	HERS METALLION MAIN
COMPN	COMMANDER DIGITAL
NON-MERCURY	

ORDERED BY	ISSUED BY	DATE	REV.
BOB EN ENTLER	BOB EN ENTLER	5/5/15	68356
PRINT NUMBER	68356		
SHEET	1	OF	4

IMP Holdings, LLC
409 GROVTH PARKWAY, ANGOLA IN 46713
COPYRIGHT © IMP Holdings, LLC
FOR THE PROPRIETARY USE OF THE PRODUCT DESIGN THROUGHOUT THE ENTIRE DOCUMENT.



MATERIAL/COLOR	THICKNESS	FINISH	SCREEN COLOR	SILK SCREEN #	HARNASS BOND	VIBE HARNASS	WELDLINE/TEXTURE #

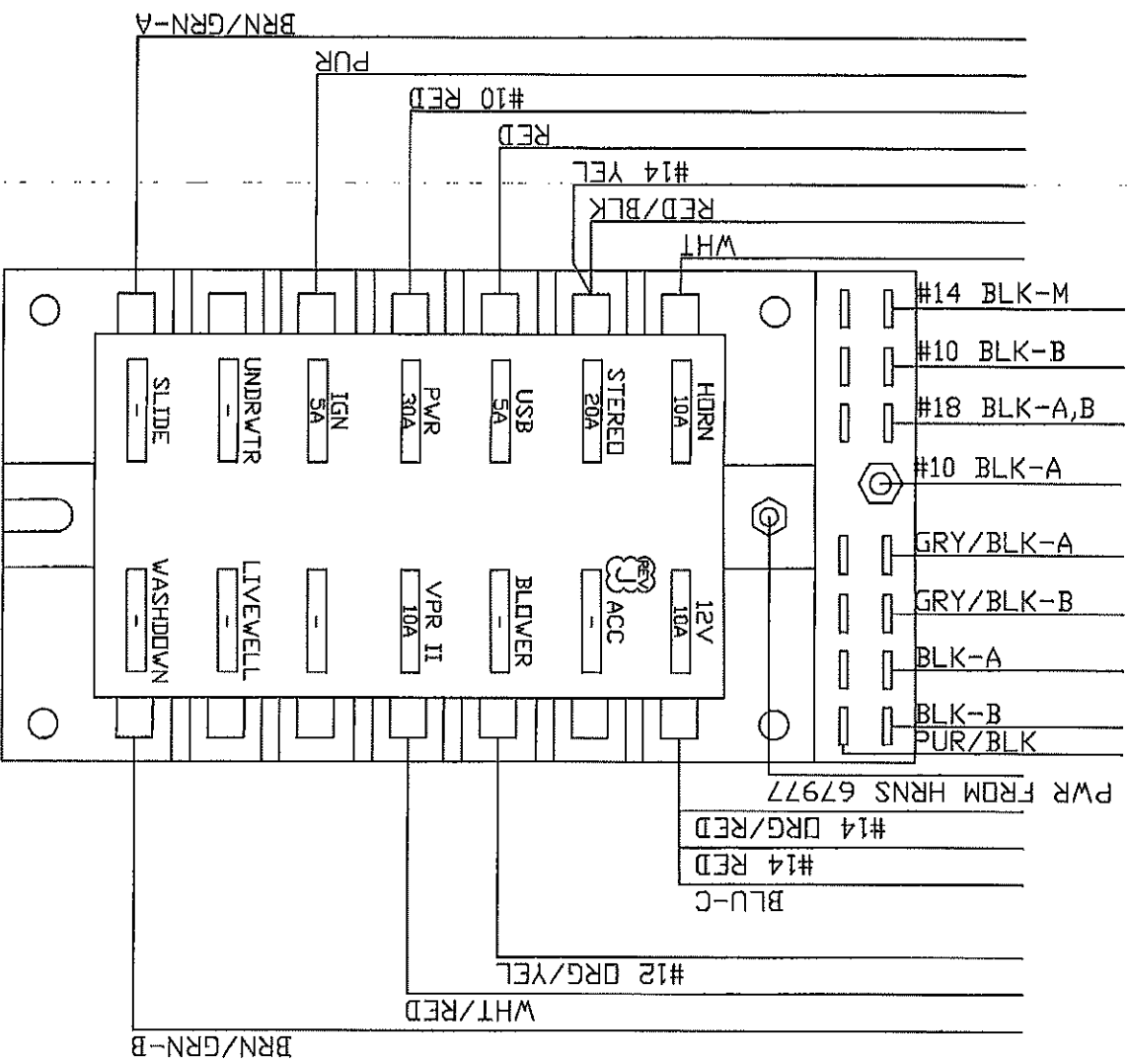
NOTES
<p>14 HORN 35275-8 POS (3)35272-250</p> <p>15 BILGE 35275-8 POS (3)35272-250</p> <p>16 BLOWER 35275-8 POS (3)35272-250</p> <p>17 WASH DOWN 35275-8 POS (3)35272-250</p> <p>19 SLIDE 35275-8 POS (3)35272-250</p>

REV	DATE	BY	DESCRIPTION
J	P7483		ALTER BILGE, BLOWER WIRING
I	P7463		FIX RELAY PINOUT, ADD LABELS

DATE	BY	DESCRIPTION
10/28/15		FINAL
11/2/15		ENH PART

DATE	BY	DESCRIPTION
5/15/15		ENH PART
5/15/15		ENH PART

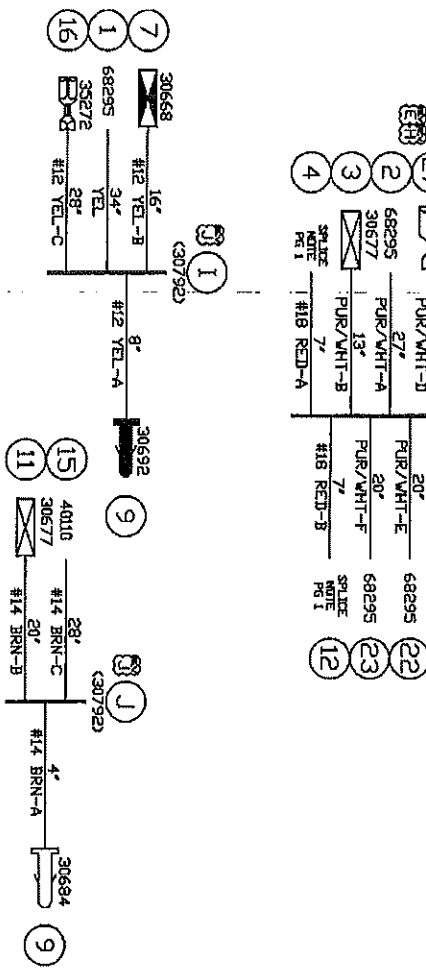
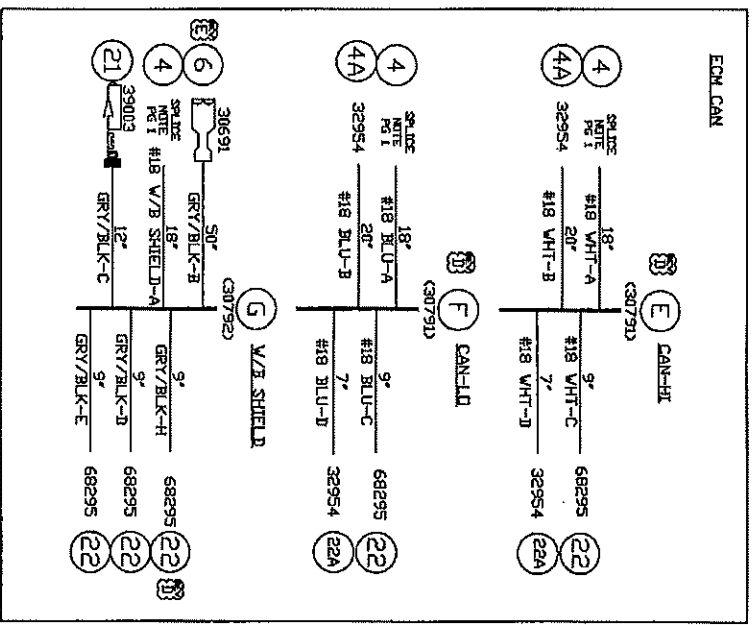
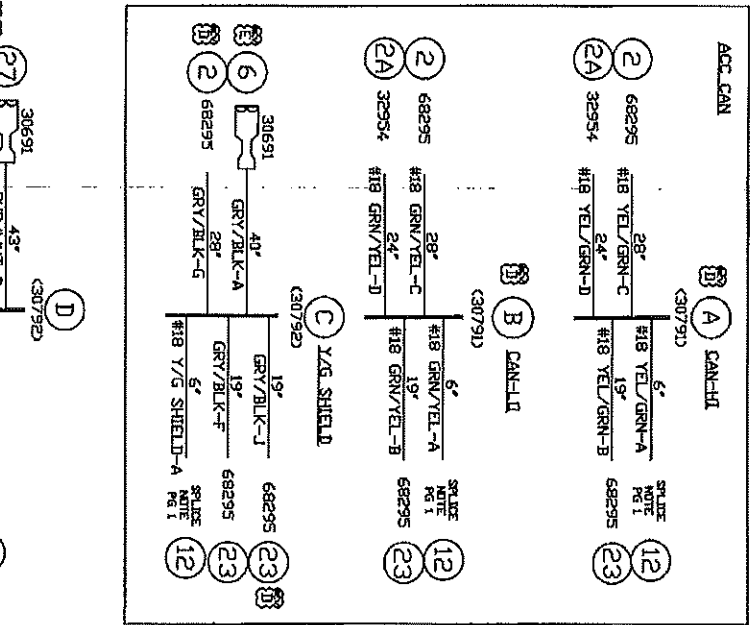
DATE	BY	DESCRIPTION
5/15/15		ENH PART
5/15/15		ENH PART



FUSEBOARD
 57147-BLOCK 14 PDS
 SCREENED w/ GROUND BAR
 (3)30611-5A
 (3)30560-10A
 32221-20A
 35304-30A

MATERIAL / COLOR		NOTES		CUSTOMER	
THICKNESS				AVAIL LN	
FINISH				PART	HRNS MEDALLION MAIN
SCREEN COLOR				DESCRIPTION	COMMANDER DIGITAL
SILK SCREEN #				DATE	
HARNESS BOARD				BY	
WIRE HARNESS				NON-MERCURY	
HELD IN / TUBED				CHECKED BY	BRAN BY ENMULLER
				DATE	5/15/15
				DATE	3 pr 4
				YEAR	2016
				REV	68356
				REV	J

ALTER BLDG, BLOWER WIRING
 FIX RELAY FINDER, ADD LABELS
 IMP Holdings, LLC
 409 GRANDTH PARKWAY, ANGOLA IN 46703
 COPYRIGHT © IMP Holdings, LLC
 THE MAKING OF THIS DOCUMENT IS THE PROPERTY OF THE COMPANY. IT IS TO BE USED INTERNALLY
 FOR THE PRODUCTION OF THE PRODUCT. IT IS NOT TO BE REPRODUCED OR TRANSMITTED IN ANY FORM OR BY ANY MEANS.



MATERIAL/COLOR		NOTES		DATE		REV./COR/CON #		DESCRIPTION		PART		CUSTOMER		AVAILIN		SCALE	
FINISH				11/2/15		J		ALTER BILL OF MATERIALS		ENR		HARRIS MEDICAL		2015		68356V	
SCREEN COLOR				10/29/15		I		FIX RELAY PRINT AND LABELS		ENR		COMMANDEER DIGITAL		5/15/15		68356	
SILK SCREEN #																	
HARRIS BRAND																	
WIRE HARRIS																	
WELDER/EXTRUS																	

IMP Holdings, LLC
 409 GRANTH PARKWAY, ANGOLA IN 46703
 CDP/VEIGHT DE IMP Holdings, LLC
 THE INFORMATION ON THIS DRAWING IS THE PROPERTY OF THE COMPANY. ANY REUSE OR REPRODUCTION OF THIS DRAWING WITHOUT THE WRITTEN PERMISSION OF THE COMPANY IS STRICTLY PROHIBITED.