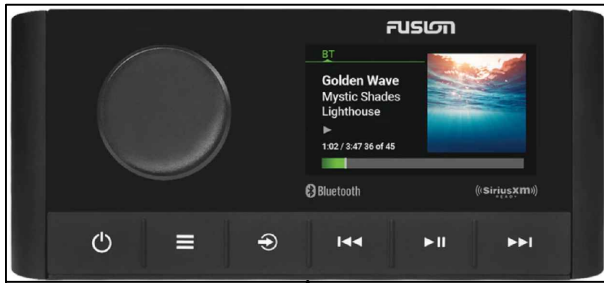


# SILVER PLUS 2 MY24

2 BOW 4 AFT

## 128915 - RA210



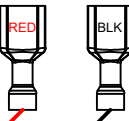
## 128964 APOLLO ZONE AMP



AMP PWR & GND

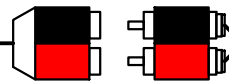
FEM SPADE

20A FUSE



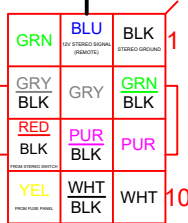
WIRING CELL TO TERMINATE

ZONE 1

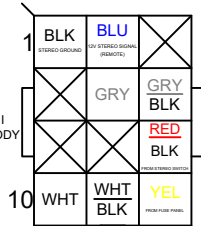


128913

128933



TO BOAT  
MATE & LOK II  
FEM. SOC - M. BODY



TO STEREO  
MATE & LOK II  
M. PIN - FEM. BODY

APOLLO ZONE AMP HRNS 2 MY24

129486

2 BOW 4 AFT HARNESS

REM INPUT  
FEMALE BULLET

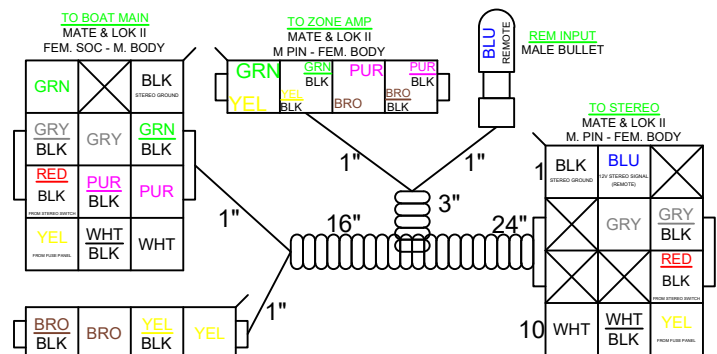
REM INPUT  
MALE BULLET

TO ZONE AMP HRNS  
MATE & LOK II  
FEM SOC - M. BODY

TO ZONE AMP  
MATE & LOK II  
M PIN - FEM. BODY

## 129486 - APOLLO SOUND HRNS 2 MY24

ANALOG DASH VEN & LSZ ONLY - 2 BOW 4 AFT



MID SOUND CONN  
MATE AND LOCK II  
FEMALE PIN - MALE BODY

TO STEREO  
MATE & LOK II  
M. PIN - FEM. BODY

1 BLK

1 BLU

1 GRY

1 GRY

1 RED

1 BLK

10 WHT

1 WHT

1 BLK

1 YEL

PROPRIETARY AND CONFIDENTIAL  
THE INFORMATION CONTAINED IN THIS DRAWING IS THE SOLE PROPERTY OF ANALOG & TAHOE. NO PART OF THIS DRAWING IS TO BE REPRODUCED OR TRANSMITTED IN ANY FORM OR BY ANY MEANS WITHOUT THE WRITTEN PERMISSION OF ANALOG & TAHOE. PHOTOGRAPHIC REPRODUCTION IS PROHIBITED.  
LABEL ALL CONNECTIONS/DROPS  
LABEL ALL OVERCURRENT PROTECTION PER ABYC

REV	DATE	DESCRIPTION
PROTO	12/8/22	RELEASE FOR PROTO

**Analog & Tahoe**  
ANALOG & TAHOE  
1903 MICHIGAN AVENUE  
AUBURN, MICHIGAN  
48801  
616-939-4112

129486 - PROTO

SHEET: 1 OF 1  
DATE: 12/8/22  
SCALE: NOT TO SCALE

DRAWN BY:  
WILL BATES