

84-892990A01

ANALOG INSTRUMENT HARNESS

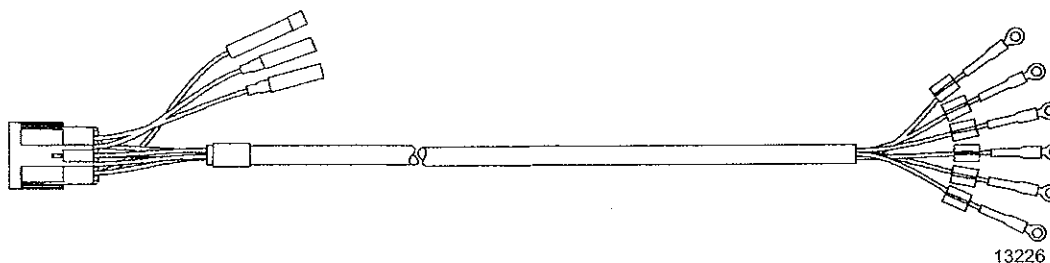
NOTICE

After completing installation, these instructions should be placed with the product for the owner's future use.

NOTICE

This document is written to aid our dealers, boatbuilders, and company service personnel in the proper installation or service of our products. Persons who are not familiar with these or similar products produced by Mercury Marine, and who have not been trained in the recommended servicing or installation procedures should have the work performed by an authorized Mercury Marine dealer technician. Improper installation or servicing of the Mercury product could result in damage to the product or personal injury to the installer or persons operating the product.

Components Contained in Kit



Ref.	Qty.	Description	Part Number
-	1	Analog instrument harness	84-892990A01

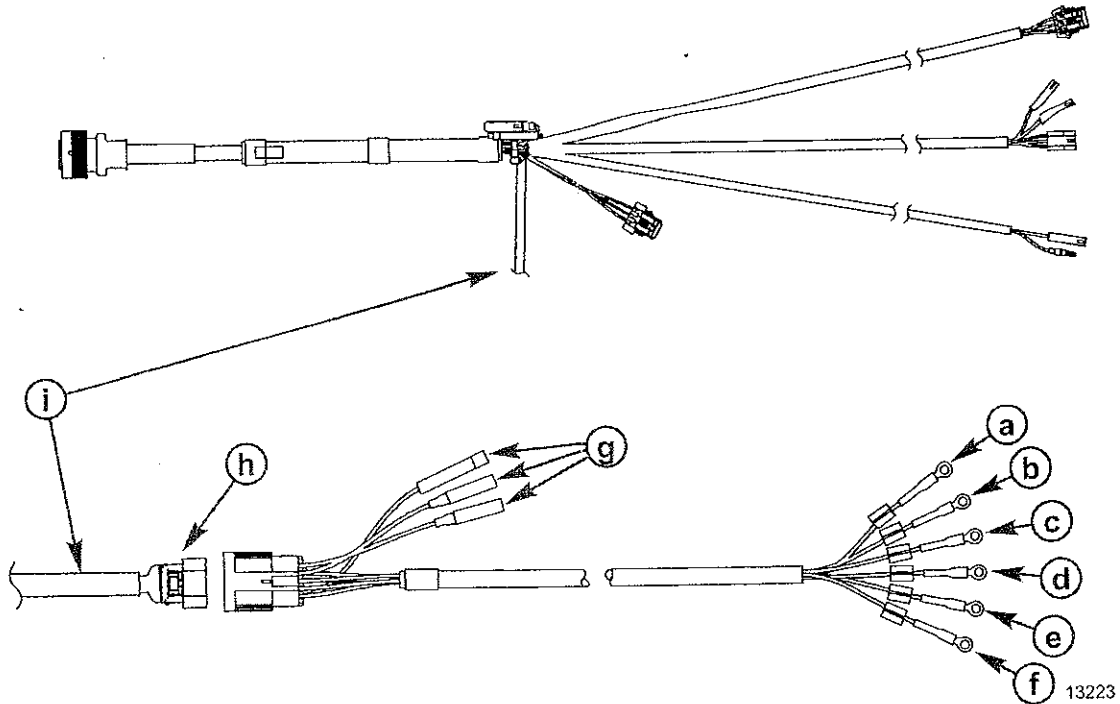
Installation

⚠ CAUTION

Always disconnect the battery cables from the battery before working around electrical system components to prevent injury and damage to the electrical system if a wire should accidentally cause a short circuit.

1. Connect the analog instrument harness to the 10 pin gauge connector on the 14 pin ignition key switch harness.
2. Route the harness to the gauge panel.

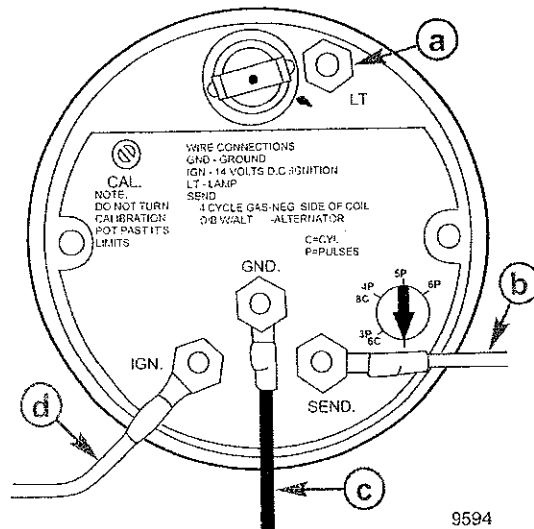
3. Connect the harness to gauges as shown.



- a - Trim gauge connection
- b - Tachometer connection
- c - Switched 12 volts (+)
- d - Temperature gauge connection
- e - Oil level gauge connection
- f - Ground (-)
- g - Not used
- h - 10 pin gauge connector
- i - 14 pin ignition key switch harness

Gauge Wire Connections

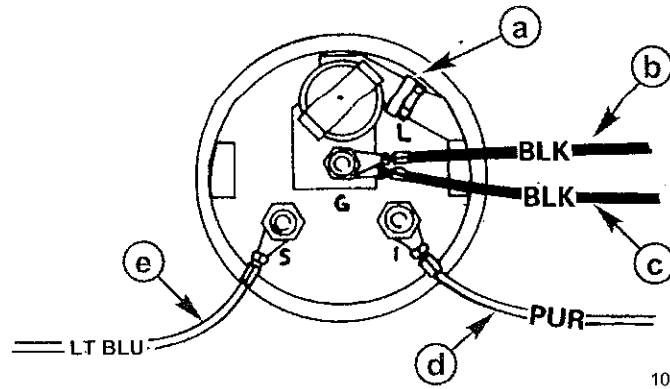
Tachometer



- a - Light connection
- b - Gray wire from harness
- c - Black wire - 12 volt ground (-)
- d - Purple wire - Switched 12 volts (+)

9594

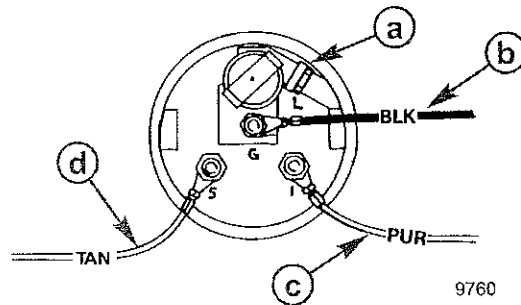
Oil Level Gauge



10326

- a - Light connection
- b - Black wire - 12 volt ground (-)
- c - Black wire - 12 volt ground (-)
- d - Purple wire - Switched 12 volts (+)
- e - Light blue wire from harness

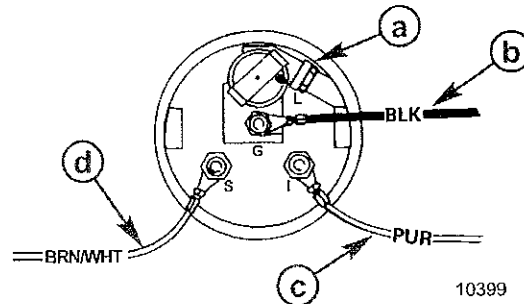
Temperature Gauge



9760

- a - Light connection
- b - Black wire - 12 volt ground (-)
- c - Purple wire - Switched 12 volts (+)
- d - Tan wire from harness

Trim Gauge



10399

- a - Light connection
- b - Black wire - 12 volt ground (-)
- c - Purple wire - Switched 12 volts (+)
- d - Brown/White wire from harness