



PROSPEC

PROSPEC ELECTRONICS

prospecelectronics.com | 843.849.9037

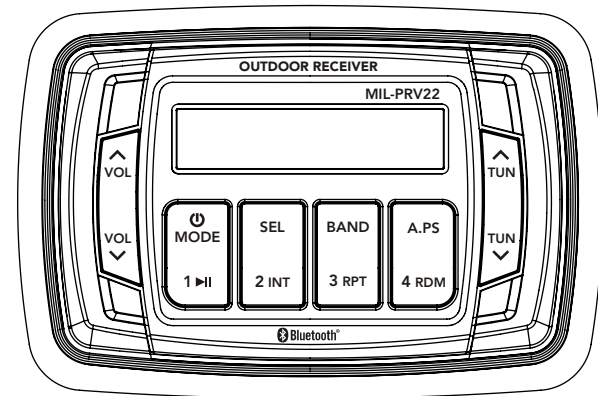
Corporate Information

Prospec Electronics
3325 South Morgans Point Rd.
Mount Pleasant, SC U.S.A. 29466
843-849-9037 (P)
843-849-9054 (F)
www.prospecelectronics.com

Prospec has been providing outdoor audio products since 1986 and we thank you for purchasing this audio product.



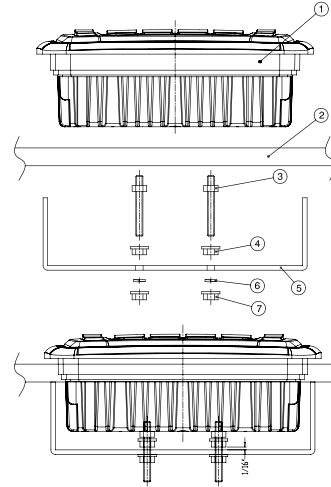
Owner's Manual Model: MIL-PRV22



Watertight Stereo Receiver built for
the Outdoors Featuring Bluetooth® Audio
Streaming, AM/FM, and Much More

This product is designed and manufactured by Prospec Electronics. Please contact us for any additional questions.

Installation Instructions



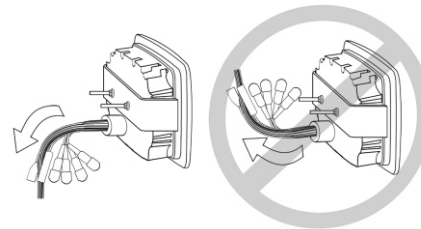
NO.	PART DESCRIPTION
1	RADIO
2	MOUNTING PLATE
3	MOUNTING STUDS
4	JAMB NUTS
5	MOUNTING BRACKET
6	SPRING WASHER
7	OUTER NUTS

Instructions:

1. Install jamb nuts (4) loosely on mounting studs (3), so they will not touch mounting brackets (5) when installed.
2. Slip mounting bracket (5) on and make flush with mounting surface (2).
DO NOT TIGHTEN
3. Snug spring washer (6) and outer nuts (7) against mounting plate (2).
DO NOT TIGHTEN
4. Position jamb nuts approximately 1/16" from mounting bracket.
5. Tighten outer nuts completely.

Installation Bulletin

To avoid possible water ingress into wire harness area, route the harness in the downward direction as shown below on the left. Do not route the harness in the upward direction as shown on the right.



Troubleshooting

*Note: In many respects, a stereo acts much like a computer and occasionally requires a reboot. In the unlikely event of product malfunction, a reset can usually fix the issue.

Reset Function: With the unit powered off, press SEEK DOWN then SEEK UP in succession three times in a row. Once this occurs, the display will read SYS CLR, indicating a successful reset.

Issue	Cause	Solution
No power	<ol style="list-style-type: none"> 1. Incorrect wiring 2. Fuse is blown 3. Low battery voltage 	<ol style="list-style-type: none"> 1. Double check wiring 2. Replace fuse 3. Check voltage of vehicle battery with multimeter. Voltage must be at least 11V.
No Sound	<ol style="list-style-type: none"> 1. Speaker connection came loose 2. Bad speaker 3. Output blown 4. Volume too low on media device 	<ol style="list-style-type: none"> 1. Double check connections. 2. Replace bad speaker with known good speaker and connect. 3. Send unit in for repair. 4. Increase volume of media device
No Reception	<ol style="list-style-type: none"> 1. Antenna not firmly seated in socket 	<ol style="list-style-type: none"> 1. Insert firmly
USB stick not reading	<ol style="list-style-type: none"> 1. File must be a mp3 or wma file 	<ol style="list-style-type: none"> 1. Convert format to mp3 or mwa.
While in Bluetooth mode:		
No Connection	<ol style="list-style-type: none"> 1. You are not connect to the "PRV-22" address on your portable media device. 2. Out of range 3. The connection is already in use. 	<ol style="list-style-type: none"> 1. Choose "PRV-22" 2. Bring portable media device closer to the receiver. Device needs to be within 30'. 3. Ask the person who first paired to drop out.

MIL-PRV22

TABLE OF CONTENTS

Product Description	pg 1
Front Panel Layout	pg 2
User Operation	pg 3
Radio	pg 4
USB	pg 5
Bluetooth	pg 6
Auxiliary Input	pg 6
RCA output	pg 6
Remote Option	pg 6
Installation	pg 7
Wiring	pg7
Troubleshooting	pg 8
Installation Instructions & Bulletin	pg 9

Product Description

This radio features state of the art Bluetooth technology allowing music to wirelessly stream from an audio source to the receiver you just purchased. Why Bluetooth? From a practical standpoint, Bluetooth enables your music device (if applicable) to be placed in a glove box, your overhead console, or even your pocket-places that are dry-without having to install a separate docking station. In addition, Bluetooth audio streaming will work with any Bluetooth enabled device, not just one brand of media. Once connected, you can use your receiver to control your media device and vice versa! Bluetooth has a range of approximately 30', depending upon conditions, so once your boat is parked, feel free to control the stereo through your media device!

The MIL-PRV22 incorporates the following features:



AM/FM



Bluetooth Audio Streaming



USB input



Auxiliary input



Waterproof faceplate



40W x 4 amplifier



RF remote/wired remote option



U.S. and European tuning

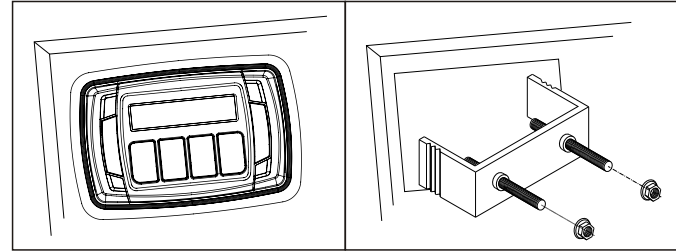


Charging through USB

Installation

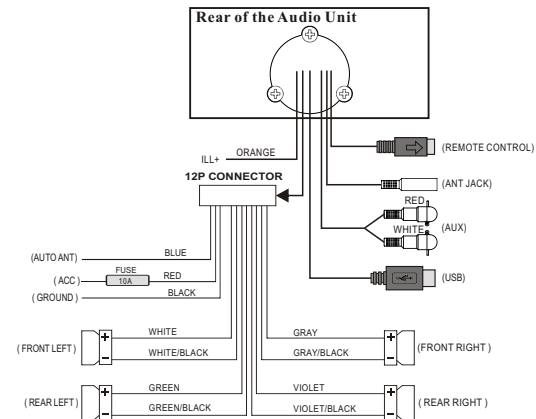
A mounting gasket has been added inside the package for convenience. Trace along the outside edge and this will be your cutout.

Mounting Illustration



1. Please install this unit in the place you prefer.
2. Use the bracket and screw to fix the unit. Install the U bracket behind the unit, using two nuts per bolt for ultra hold.

Wiring Identification



Bluetooth Operation

Your media device must incorporate the Bluetooth option in order to stream music.

- To pair your Bluetooth device, press the Mode button on the stereo until BT MUSIC appears.
- Press and hold A.PS button until PAIRING appears.
- Next, go to settings on the Bluetooth device and turn the Bluetooth option to “on”.
- Pick the “PRV-22” option on your Bluetooth enabled device (please note that if you are prompted for a password, the code entered will be “1234”. Once paired OK, it will display the name of BT device.
- To disconnect your device, press and hold A.PS button. “DISCONN” will appear letting you know you have successfully disconnected.
- To connect again, simply press A.PS button. It will display “CONNECT” and then followed with the name of connected BT device.

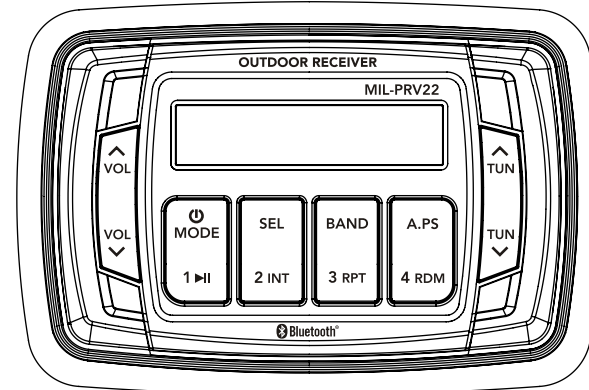
Auxiliary Input Mode

- Press the Mode button until “AUX” appears on the LCD screen.
- The use of auxiliary mode allows you to play the portable music device through the headphone jack.
Note: An additional accessory/adaptor must be purchased in order for this to happen. Prospec's part, SEAMINI2 or SEAUSBMINI36, fulfills this option.

Remote Option

- RF remote option.
In order to take advantage of the remote option, a transmitter and receiver must be purchased (together part #, MILRF9 UART). Once plugged in the RF remote dongle, the RF remote will allow for wireless remote control possibility.
- Wired remote.
Proprietary wired remotes may also be used with this Infinity unit. Wired remotes include the JBLREM20, MILREM50, AND MILREM70.

Front Panel Layout



Power On/Off button.
Short push for the first time to turn the unit on.
Press and hold for more than 2 seconds to turn the unit off.

MODE

Mode Function.
Switches amongst Radio, Bluetooth, USB and Auxiliary mode.

SEL

SEL stands for SELECT.

BAND

Band Function. Switches amongst AM and FM bands.

A.P.S

Auto Preset and Presets Scan.

1 >||

Preset 1 while in Radio mode;
Play/Pause while in USB and BT Music mode.

Front Panel Layout

2 INT	Preset 2 while in Radio mode; Introduction while in USB mode.
3 RPT	Preset 3 while in Radio mode; Repeat while in USB mode.
4 RDM	Preset 4 while in Radio mode; Random while in USB mode.
VOL ^	Volume Increase
VOL v	Volume Decrease
TUN ^	Track Up / Tune Up / Fast Forward
TUN v	Track Down / Tune Down / Reverse

Radio Operation



A. SEL button

- Pressing this button in succession results in the following menu options: volume, bass, treble, balance, fader, display. Press the VOL ^ or VOL v to adjust the options.
- A long press of the SEL button initially followed by a short press results in the following menu options: Initial Volume, Area Frequency, Beep, Time, Loud, BT Volume. Press the VOL ^ or VOL v to adjust the options.
 - Initial Volume.* Refers to the loudness level upon start of the receiver.
 - Frequency.* Choose between U.S. And European.
 - Beep.* Choose between Beep ON, Beep 2ND, Beep OFF. Beep ON will result in the beep sound at the press of every button; Beep 2ND will result in the beep sound once the button is long pressed; Beep OFF results in the beep sound off completely.
 - LOUD.* Chose between Loud ON or OFF.
 - BT Volume.* Adjust to change the initial Bluetooth volume.

B. Pres BAND to access FM and AM. There are three FM bands and AM band, each band containing four presets.

C. A.PS button. Short push to scan preset stations in current band. Long push to automatically preset four stations into the current band.

Radio Operation



D. Presets. Upon finding a desirable station, hold either the preset 1, 2, 3, or 4 down for 2 seconds to store.

E. Tuning. A short press of the TUN ^ or TUN v button results in a search of the station of the station of next sufficient signal strength. A long press results in manual tuning mode, allowing you to search one odd digit frequency at a time.

USB Operation



Note: USB slot is for USB sticks only. For play of other brands of media, please use the auxiliary input or if applicable, utilize Bluetooth mode.

- Insert a USB stick into the USB slot. *Songs must be of the mp3 or wma format.*
- Press 1▶ to pause the track. Press 1▶ again to resume play.
- A short press of the TUN ^ or TUN v buttons will track up or track down respectively. A long press on the TUN ^ or TUN v will fast forward and rewind the current track respectively.
- INT button (INT stands for Introduction). A press of this button will result in playing the first 10 seconds of each track located on the USB stick. Pressing the button again will allow the unit to resume on the current track and correspondingly stops the Introduction process. A long push will result Intro play the tracks in the current folder.
- RPT button (RPT stands for Repeat). Pressing this button will result in repetitive playing of the current track. Pressing the RPT button again will stop the repeat process. A long push plays the tracks in the current folder repeatedly.
- RDM (RDM stands for Random). Pressing this button will result in random playing of the USB stick files. Pressing this button again will stop the random playing process. A long push plays the tracks in the current folder randomly.
- Track/Folder Search via A.PS button
Short press APS button will result in track search mode. Press VOL ^ or VOL v to your desired track and push SEL to confirm.

Phone Charging Capability

The USB input can be used for charging most phones. A successful charging will be manifested by the battery indication status on the phone itself.