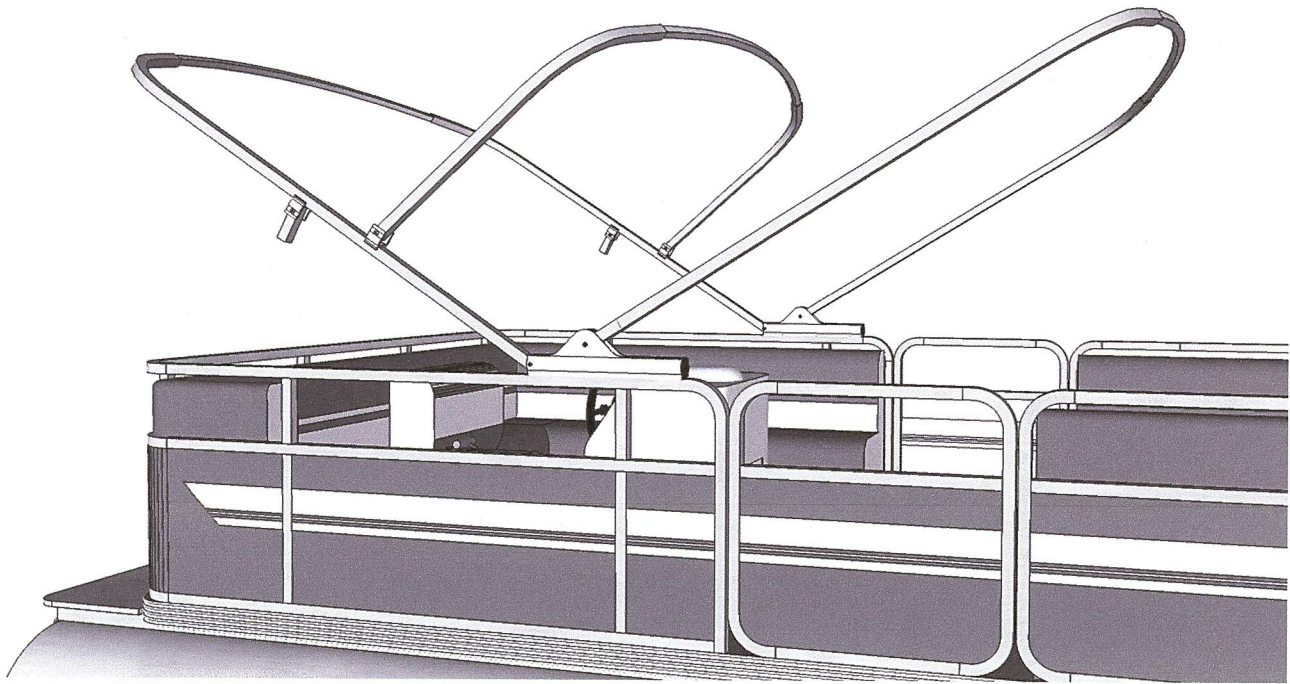




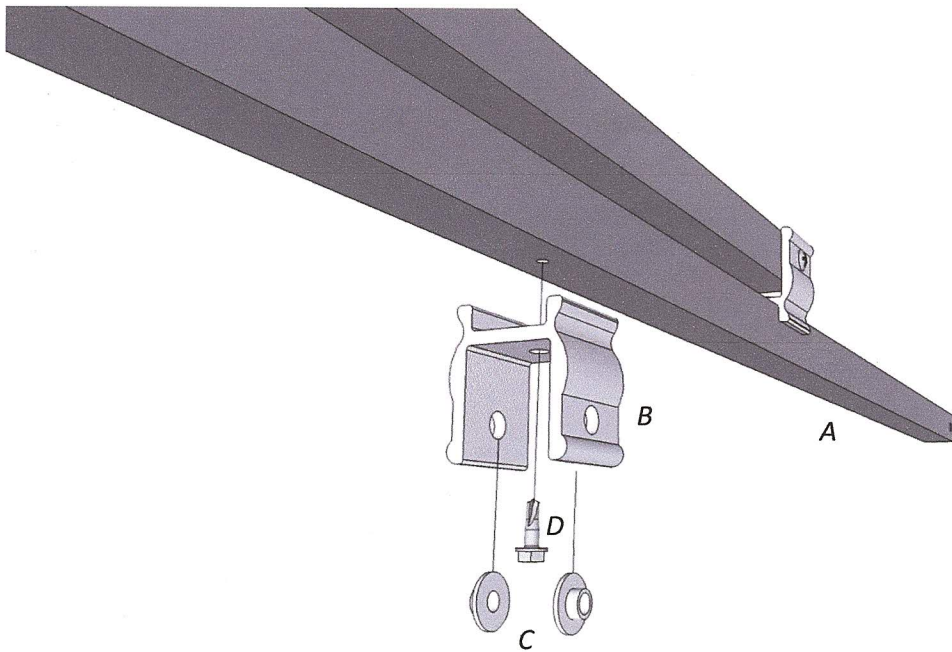
INSTALLATION & OPERATING INSTRUCTIONS



SCHWINTER

Schwintek Inc.
301 Ranger Drive
Cassopolis, MI 49031
Phone (269) 445-9999
Fax (269) 445-8899

Visit PWR-ARM.COM to view a step by step installation video or visit the PWR-ARM YouTube Channel



STEP #1 – H-Bracket

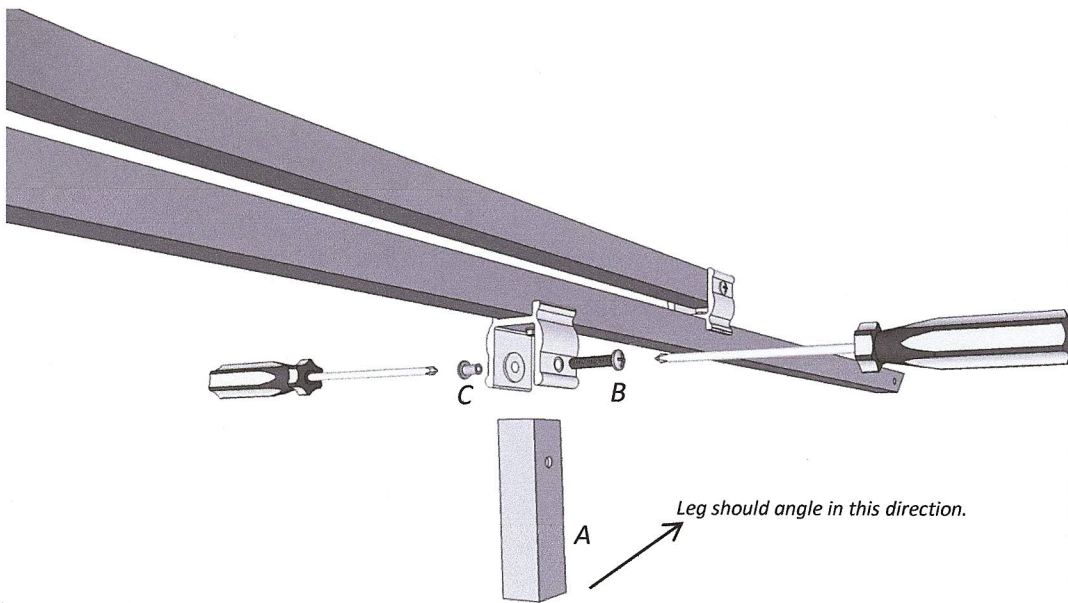
Tools Required:

1. Electric Drill
2. 3/8" Nut Driver

Parts Required:

- A. Rear Strut Assembly
- B. H-Bracket
- C. Nylon Bushing
- D. Self Tapping Screw

Align predrilled hole in H-Bracket (B) with predrilled hole in Rear Strut Assembly (A). Use an electric drill with a 3/8" nut-driver bit and the included 5/16" Self Tapping Screw (D) to fasten the assembly. Install both Nylon Bushings (C) into the predrilled holes in H-Bracket as shown.



STEP #2 – Stand-off

Tools Required:

1. (2) Phillips Screwdrivers

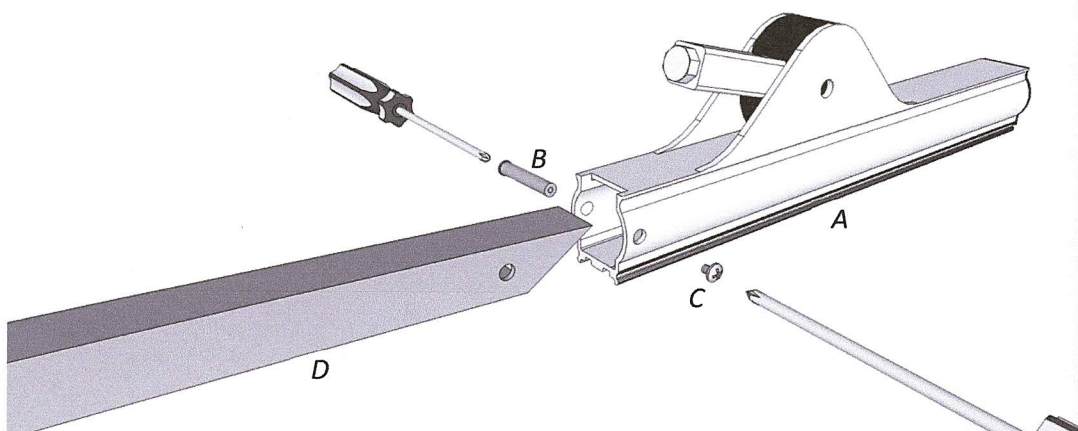
Parts Required:

- A. Stand-off Leg
- B. 1/4" x 1-1/2" Phillips Screw
- C. 1/4" Phillips Nut

Align predrilled holes in Stand-off Leg (A) with holes in the already installed Nylon Bushings.

NOTE: Standoff Leg has a slight miter that should angle towards the mitered end of the rear strut assembly.

Next, Align Phillips Screw (B) with Phillips Nut (C) and tighten using two Phillips Screwdrivers.



STEP #3 - Actuator

Tools Required:

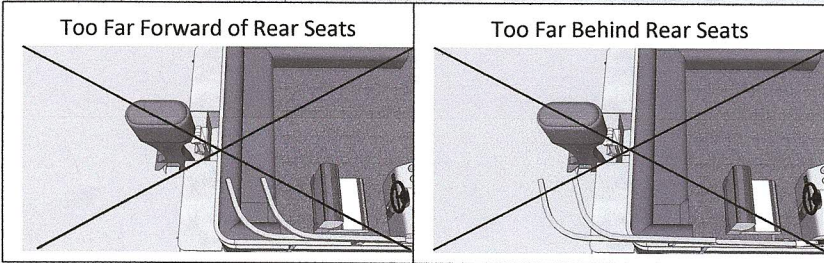
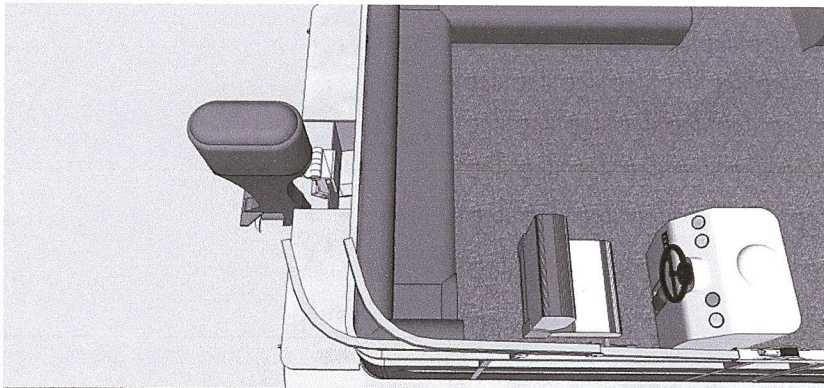
1. (2) Phillips Screwdrivers

Parts Required:

- A. Actuator
- B. Phillips Head Pin
- C. #10 x1/4" Phillips Screw

Align predrilled holes in the now fully assembled Rear Strut Assembly (D) with the Predrilled holes in the Actuator Assembly (A). Next, Align Phillips Pin (B) with Phillips Screw (C) and tighten using two Phillips Screwdrivers.

REPEAT STEPS 1-3 FOR THE SECOND ASSEMBLY



STEP #4 - Locate Right

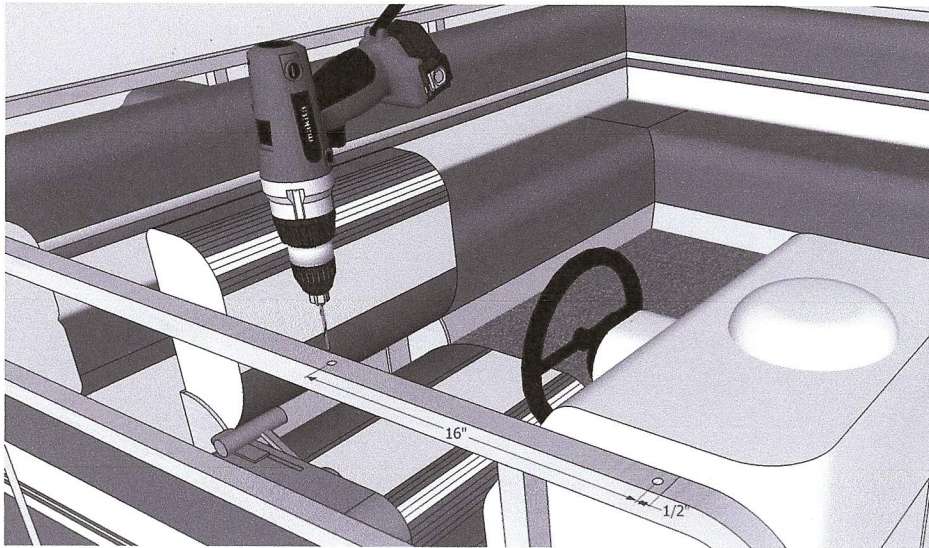
Tools Required:

1. Pencil

Parts Required:

- B. Rear Strut/Actuator Assembly

Locate the first Rear Strut/Actuator Assembly on to the boat. Proper position is generally determined by locating the assembly so that when the top is down, the struts are just behind the rear seats. Too far forward and the top will interfere with rear seating; while too far aft will provide less shade to the front of the boat. When properly position, use a pencil and trace a line across the front of the actuator.



STEP #5- Drill Holes

Tools Required:

1. Electric Drill
2. 3/8" Drill Bit
3. Tape Measure

Parts Required:

- A. None

Put a tape measure on the pencil line made in the previous step. Measure back 1/2" and 16-1/2" and make marks. Use a drill with a 3/8" bit to drill both holes in the center of the rail. These holes need to go all of the way through the side rail tube.

Caution: Some boats have wire run thru this tube, drill half way and make sure you are clear of any wires.

STEP #6 – Run Wire

At this time you will need to run the wire from the actuator to the helm. Each boat is different, so the best way will be determined by you. Here are a few options to help you decide.

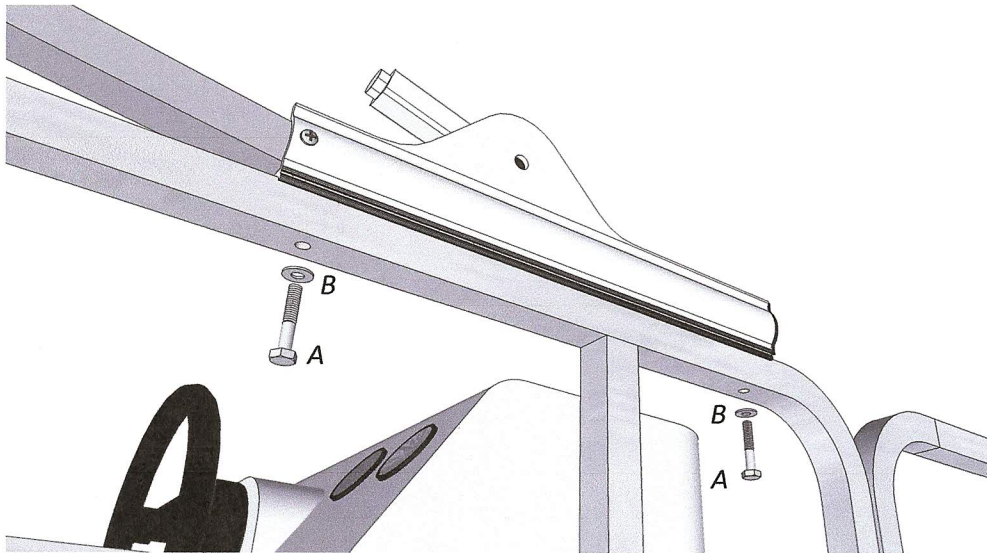
- 1) Inside the boat's railing
- 2) Along the bottom side of the boat's railing
- 3) Along the top or side of the boat's railing

Options 1 and 2

Drill a third hole in the top of the boat's side rail to accept the actuator wire. For Option 1 this new hole will be drilled half way thru the rail, with Option 2 this hole will be drilled all of the way thru the boat's rail. Locate this new hole by looking at the where the wire exits the actuator and then transfer this location to the boat's side rail and drill the hole. For Option 1, snake the wire thru the inside of the side rail until it exits under the boat. From this point, run the wire to the underside of the helm and fish it up into the helm. For Option 2, run the wire under the top rail using *fastener-mount zip ties* (not included) to support the wire, direct entry to the helm from the top rail is normally possible.

Option 3

Bolt Down the actuator as shown in Step 7. Use *fastener-mount zip ties* (not included) to run the wire along the top or side of the boats railing and in to the helm.



STEP #7 – Bolt Down

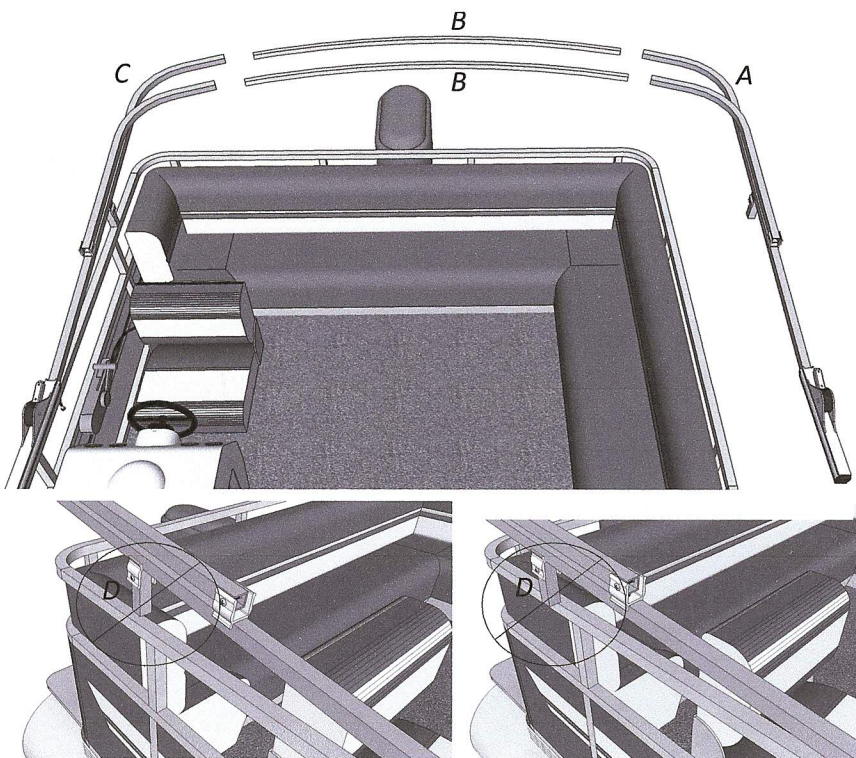
Tools Required:

1. 1/2" Wrench

Parts Required:

- A. 5/16" x 1-3/4" Bolt
- B. 5/16" Flat Washer

Assemble Flat Washer (B) with Bolt (A). Then, using a 1/2" wrench, fasten down Strut/Actuator Assembly (C) to side rail.



STEP #8 – Locate Left

Tools Required:

1. Pencil

Parts Required:

- A. Rear Strut/Actuator Assembly
- B. Center Bow

Begin by inserting Center Bows (B) in to the already mounted Actuator Assembly (C), about an inch for now. Next, insert the Center Bows (B) in to the other Actuator Assembly (A) until the Bimini width matches the boat's railing width. Now, move Assembly (A) forward and aft until the Standoff Legs (D) are centered on side rails. Mark the position and repeat Steps 5-7.

STEP #9 - Wire Switch

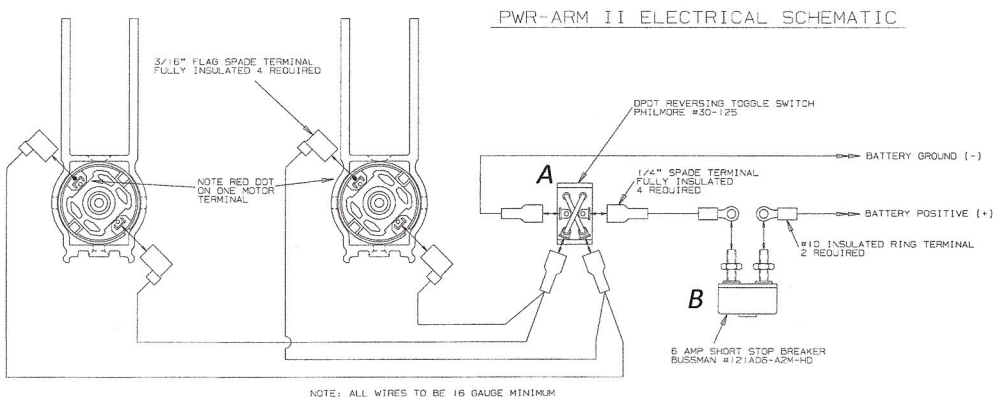
Tools Required:

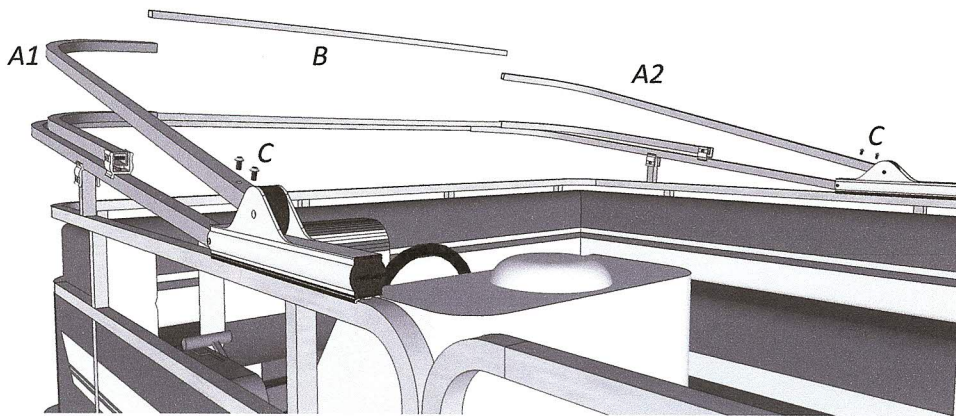
1. Wire Cutter/Stripper
2. Wire Crimper
3. 1/2" Drill Bit and Drill

Parts Required:

- A. Control Switch
- B. Breaker
- C. Wire Terminals

Locate where on the helm you want the control switch and drill 1/2" hole. Trim excess wire length and connect the white wire from each actuator to one side of the switch (A) and the black wires to the other side of the switch (A). Connect positive and negative battery leads and breaker (B) as shown using excess wire trimmed earlier.





CAUTION: DO NOT POWER ACTUTORS TO FULL OPEN POSITION WITHOUT CANVAS INSTALLED! DAMAGE CAN RESULT.

STEP #10 – Final Strut

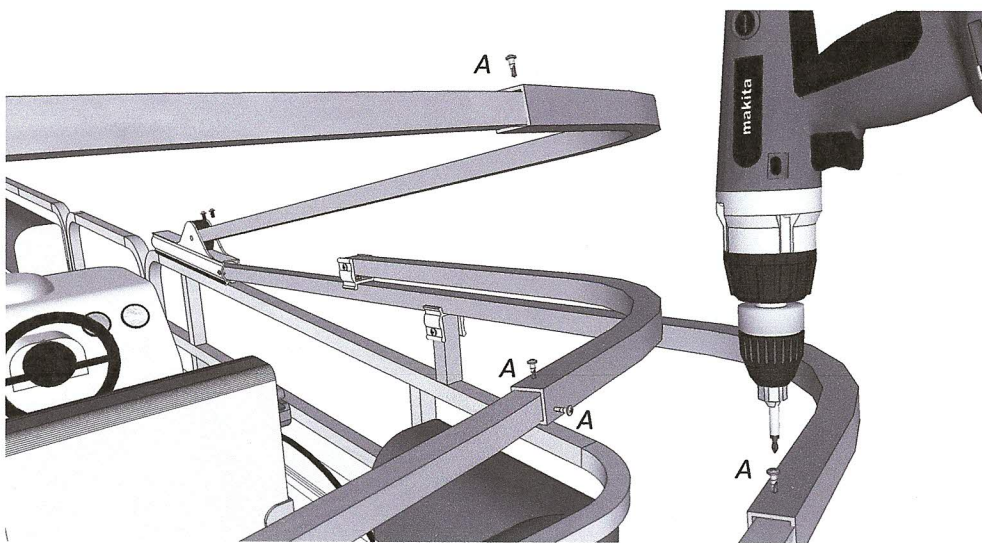
Tools Required:

1. 5/32" Allen Wrench

Parts Required:

- A. Front Struts
- B. Center Bow
- C. 1/4" Allen Cap Screws

Slide the first Front Strut (A1) over actuator receiver handle. Insert Center Bow (B). Insert second Front Strut (A2) over Center Bow (B) and then over actuator receiver handle. Secure both Front Struts using 1/4" Allen Cap Screws (C), tighten with 5/32" Allen Wrench.



STEP #11 – Final Ass'y

Tools Required:

1. Electric Drill
2. Phillips Drill Bit

Parts Required:

- A. #10 x 3/4" Self Drilling Phillips Screw

Use an electric drill and the #10 Self Drilling Phillips Screws (A) to fasten all struts together. Note that the middle strut assembly gets 2 screws as shown. Repeat this process for both sides.

Complete the installation by attaching the canvas to the completed framework. The canvas end with the notch goes on to the rear strut.

PWR-ARM II - PROPER OPERATION

OPEN POSITION

1. Remove protective boot from around fabric
2. Push and hold the toggle switch until top fully opens
3. Continue to hold toggle switch to fully tighten canvas
4. Release toggle switch

WARNING – Never attempt to operate the PWR-ARM while the boat is in motion or in high wind conditions. Never exceed 25 MPH without the Boot properly installed. Never park or trailer the boat with the PWR-ARM in the open position.

RADAR POSITION

1. Verify protective boot is fully zipped around PWR-ARM fabric and struts
2. Push and hold the toggle switch until motion stops
3. Continue to hold toggle switch to fully tighten boot – this will make the radar position much more rigid.
4. Release toggle switch

Caution - Never attempt to remove the boot with the top in the radar position. First, lower the top, and then remove the boot.

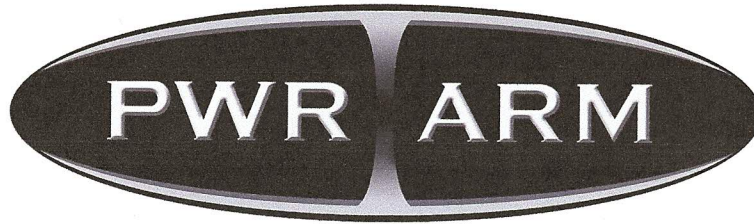
FULL DOWN POSITION

1. Push and hold the toggle switch until the down motion stops
2. Release toggle switch
3. Install and zipper protective boot around PWR-ARM fabric and struts

Warning – The PWR-ARM is capable of a tremendous amount of force and it can cause serious injury if not properly operated. ALWAYS be sure that ALL occupants are clear of top while in motion

Notice – Always keep the PWR-ARM in the Full Down position with the boot installed when not in boat.

MANUFACTURES'S LIMITED WARRANTY FOR:



The limited warranty set forth below is given by Schwintek Inc. with respect to new merchandise purchased and used in the United States, its possessions and territories.

Schwintek Inc. warrants this product against defects for a period of one (1) year commencing on the date of shipment from the company. This limited warranty shall only apply if this product has been operated and maintained in accordance with the Operator's Manual furnished with the product, and has not been subject to misuse, abuse, commercial use, neglect, accident, improper maintenance, alteration, vandalism, theft, fire, water, or damaged because of other peril or natural disaster. Damage resulting from the installation or use of any accessory or attachment not approved by Schwintek Inc. for use with the product(s) covered by this manual will void your warranty as to any resulting damage.

HOW TO OBTAIN SERVICE: Warranty service is available, WITH PROOF OF PURCHASE, through your local authorized service dealer. To locate a dealer in your area, contact Schwintek Inc. at 301 Ranger Dr, Cassopolis, MI 49031, or call 269-445-9999, or log on to our Web site at www.pwr-arm.com.

This Limited Warranty does not provide coverage in the following cases:

- A. Misuse or abuse.
- B. Contamination of actuators. It shall be the sole responsibility of the owner to keep dirt and debris out of the actuator assemblies.
- C. Normal deterioration of the exterior finish due to use or exposure.
- D. Schwintek Inc does not extend any warranty for products sold or exported outside of the United States, its possessions and territories, except those sold through Schwintek Inc. authorized channels of export distribution.
- E. Parts that are not genuine Schwintek Inc. parts are not covered by this warranty.
- F. Service completed by someone other than an authorized service dealer is not covered by this warranty.
- G. Transportation charges and service calls are not covered.

No implied warranty, including any implied warranty of merchantability of fitness for a particular purpose, applies after the applicable period of express written warranty above as to the parts identified. No other express warranty, whether written or oral, except as written above, given by any person or entity, including a dealer or retailer, with respect to any product, shall bind Schwintek Inc. During the period of the warranty, the exclusive remedy is repair or replacement of the product as set forth above.

The provisions as set forth in this warranty provide the sole and exclusive remedy arising from the sale. Schwintek Inc. shall not be liable for incidental or consequential or special damages of any kind or nature whatsoever, including but not limited to lost profits arising from or in any way connected with this agreement or items sold hereunder, whether alleged to arise from breach of contract, express or implied warranty, or in tort, including without limitation, negligence, failure to warn or strict liability.

Some states do not allow the exclusion or limitation of incidental or consequential damages, or limitations on how long an implied warranty lasts, so the above exclusions or limitations may not apply to you. In no event shall recovery of any kind be greater than the amount of the purchase price of the product sold. Alteration of safety features of the product shall void this warranty. You assume the risk and liability for loss, damage, or injury to you and your property and/or to others and their property arising out of the misuse or inability to use the product.

This limited warranty shall not extend to anyone other than the original purchaser.

HOW STATE LAW RELATES TO THIS WARRANTY: This Limited warranty gives you specific legal rights, and you may have other rights which vary from state to state.